

Market Central, Inc Application Note

SecureSwitch® Fiber Optic A/B/C Switch Revision B Deployment In a Hybrid ISDN and IP based VTC Connection Configuration.

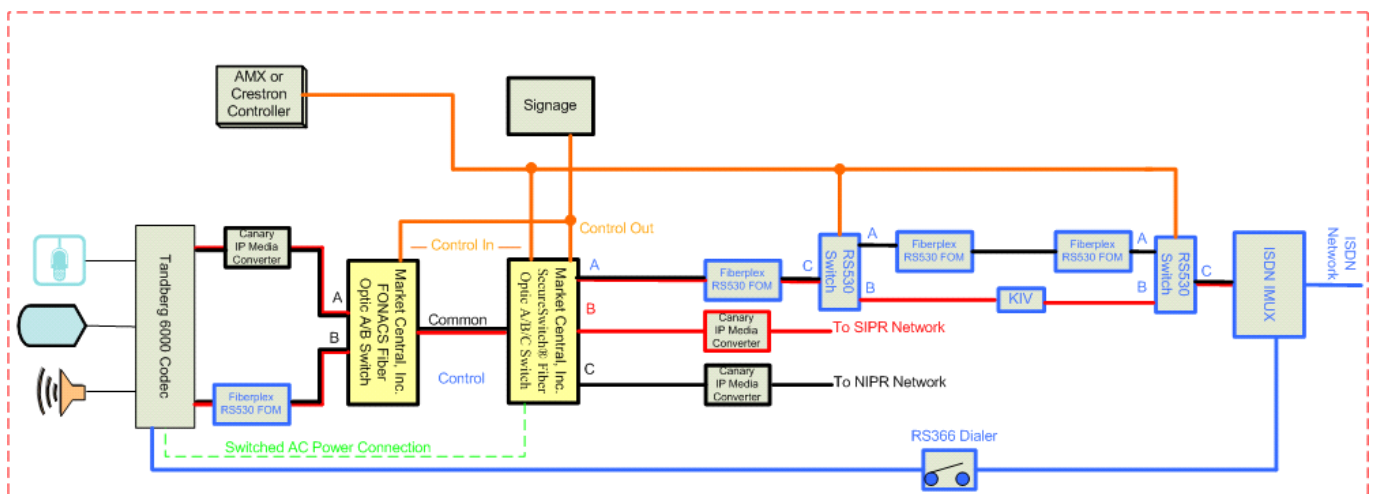
The SecureSwitch® Fiber Optic A/B/C Switch Revision B has been successfully deployed as part of a hybrid Video Teleconference connection configuration that supports isolated Secure IP, Non-secure IP, Secure ISDN or Non-secure ISDN wide area connectivity. The primary benefits of this solution are:

- Highest level of port isolation between connected and non-connected data paths. The SecureSwitch® products are the only interface selector switches in the market that were validated by NIAP, are DISA Approved and TEMPEST Evaluated.
- Insure that when a VTC session is in progress that no other calls can be initiated or answered.
- Migratory path for existing ISDN systems to transition to IP based network connectivity.

Operation:

The SecureSwitch® Fiber Optic A/B/C Switch provides exceptionally high isolation between all data paths being presented to the VTC Codec. In the configuration shown below, the common port of the SecureSwitch® is connected to a Market Central FONACS A/B switch which selects the appropriate fiber optic media converter (FOM) for either IP connectivity or ISDN connectivity to the Codec. System control can be performed manually, or automated using a Crestron or AMX Controller that is connected to the SecureSwitch® unit's remote control dry contact input connections. The output dry contact connections of the SecureSwitch® device control the FONACS' switching and drives a sign that indicates the security level of the VTC in progress. This configuration eliminates the possibility of mixed security classifications when a call is initiated/established.

To learn more about this solution, please contact our sales engineering team.



Market Central, Inc.
19 North Main Street
Pittsburgh, PA 15342
Cage Code: IBGJ7

Phone: 412-494-2800
Fax: 412-494-5550
E-mail: info@seureswitch.com

